

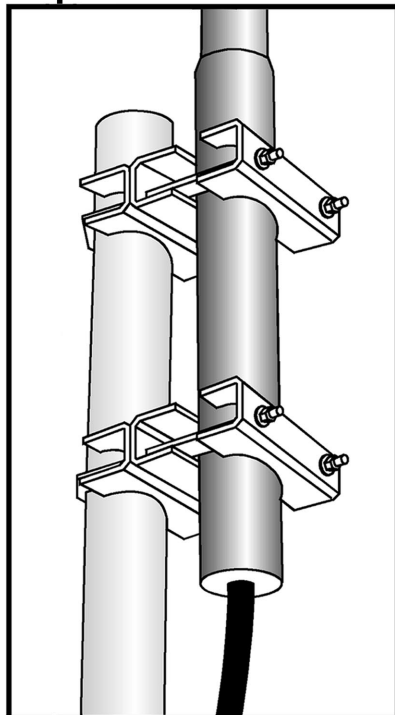
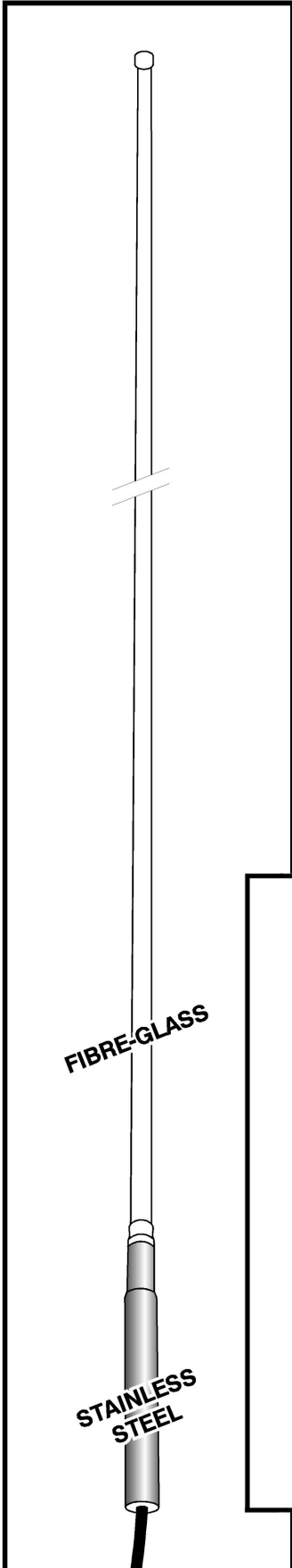
# BEAMER

## Base Station Antenna Omni-Directional Fibre-Glass

# VHF

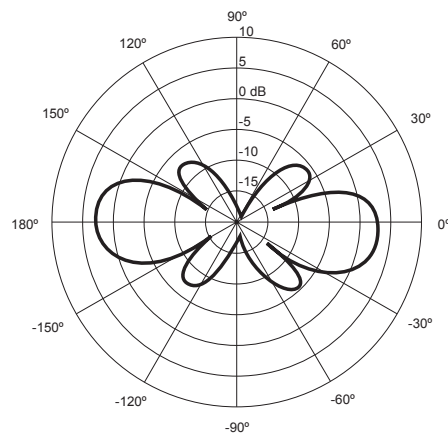
Model	Frequency
CLX-10/3 142152	142-152MHz
CLX-10/3 152162	152-162MHz
CLX-10/3 160170	160-170MHz
CLX-10/3 164174	164-174MHz

## CLX-10/3 Series



Type	<b>Dipole Colinear</b>
Gain	<b>3dBd</b>
SWR in Bandwidth	<b>&lt;1.5:1</b>
Impedance	<b>50 ohm</b>
Polarisation	<b>Vertical</b>
Power Rating	<b>200 watt</b>
Working Temperature	<b>-30°C ~ +80°C</b>
Wind Resistance	<b>150km/h</b>
Lightning Protection	<b>DC Ground</b>
Connector	<b>N Female</b>
Total Length	<b>Approx. 2720mm</b>
Weight	<b>Approx. 1.25kg</b>

VERTICAL RADIATION PATTERN



SWR CHART

